

Fit System Hot Plate Lowerator with 2 adjustable cylinders (beechwood finish)

ITEM # _____

MODEL # _____

NAME # _____

SIS # _____

AIA # _____



321013 (FSLHPL)

Heated plate lowerator with 2
cylinders, adjustable plate
diam. 200-280mm,
beechwood finish

Short Form Specification

Item No. _____

304 AISI stainless steel worktop with rounded edges. Two heated cylinders (+30/+50°C) able to accommodate up to 50 plates (adjustable plate diam. 200-280mm). Side panels in beech wood finishing. Tray slides in 304 AISI stainless steel, mounted on both sides of the unit, fold down in order to facilitate passage of the unit through doorways. The unit is mounted on 4 wheels (150mm high).

Main Features

- Lifting springs allow plates of different weights to be stacked.
- Plate lowerator suitable to warm, transport and distribute plates.
- Set temperature for heated models +30/+50°C.
- Two cylinder plate lowerators, each cylinder can hold 50 plates with a diameter from 200 to 280 mm.
- The two tray slides are constructed in plain 304 AISI stainless steel and can be folded down to facilitate passage of the units through doorways.

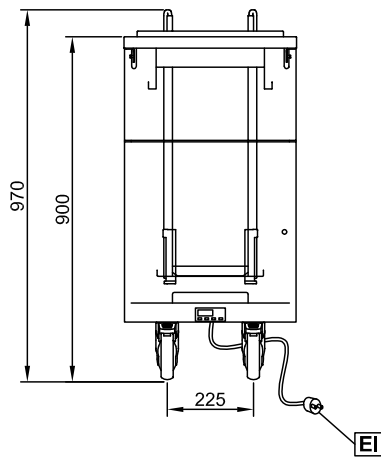
Construction

- Unit mounted on four wheels, 150 mm in height (two with brakes), but can be mounted on 150 mm high feet (as special).

Optional Accessories

APPROVAL: _____

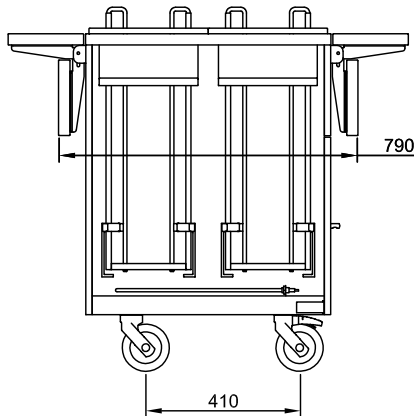
Front



Key Information:

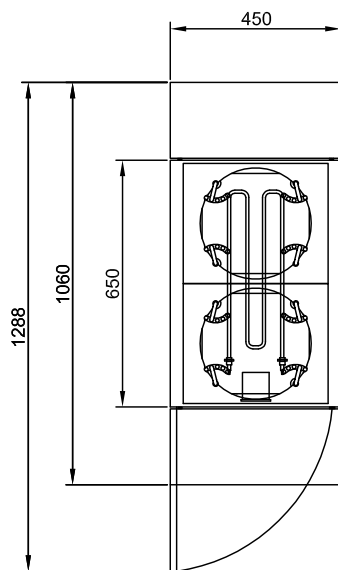
External dimensions, Width:	450 mm
321013 (FSLHPL)	
External dimensions, Depth:	1060 mm
External dimensions, Height:	900 mm
Net weight:	45 kg

Side



EI = Electrical inlet (power)

Top



**Fit System
Hot Plate Lowerator with 2 adjustable cylinders (beechwood finish)**

The company reserves the right to make modifications to the products without prior notice. All information correct at time of printing.